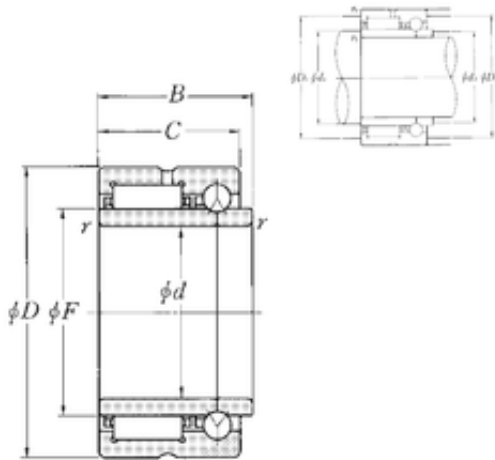


NTN NKIB5913R Complex Bearing

Bearing No. NKIB5913R



NKIB5913R Bearing 2D drawings and 3D CAD models

Size	65x90x38 mm
Bore Diameter	65 mm
Outer Diameter	90 mm
Width	38 mm
d	65 mm
F	72 mm
D	90 mm
B	38 mm
C	34 mm
r min.	1 mm
da min.	71 mm
Da max.	84 mm
ra max.	1 mm
Weight	0,64 Kg
Dynamic load rating radial (C)	62,5 kN
Dynamic load rating axial (C)	12,1 kN
Static load rating radial (C0)	112 kN
Static load rating axial (C0)	34 kN
(Grease) Lubrication Speed	3700 r/min